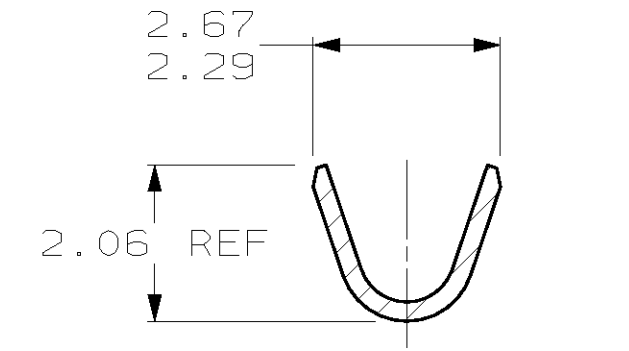
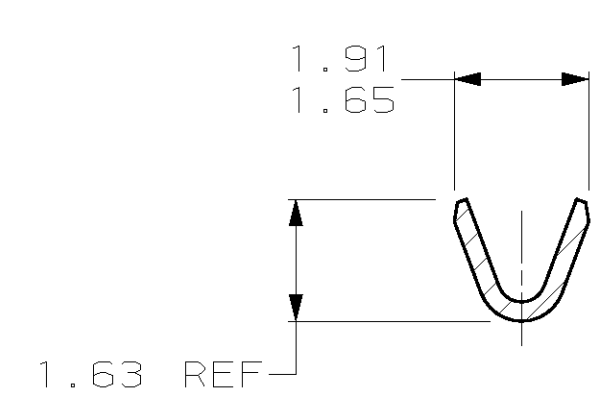
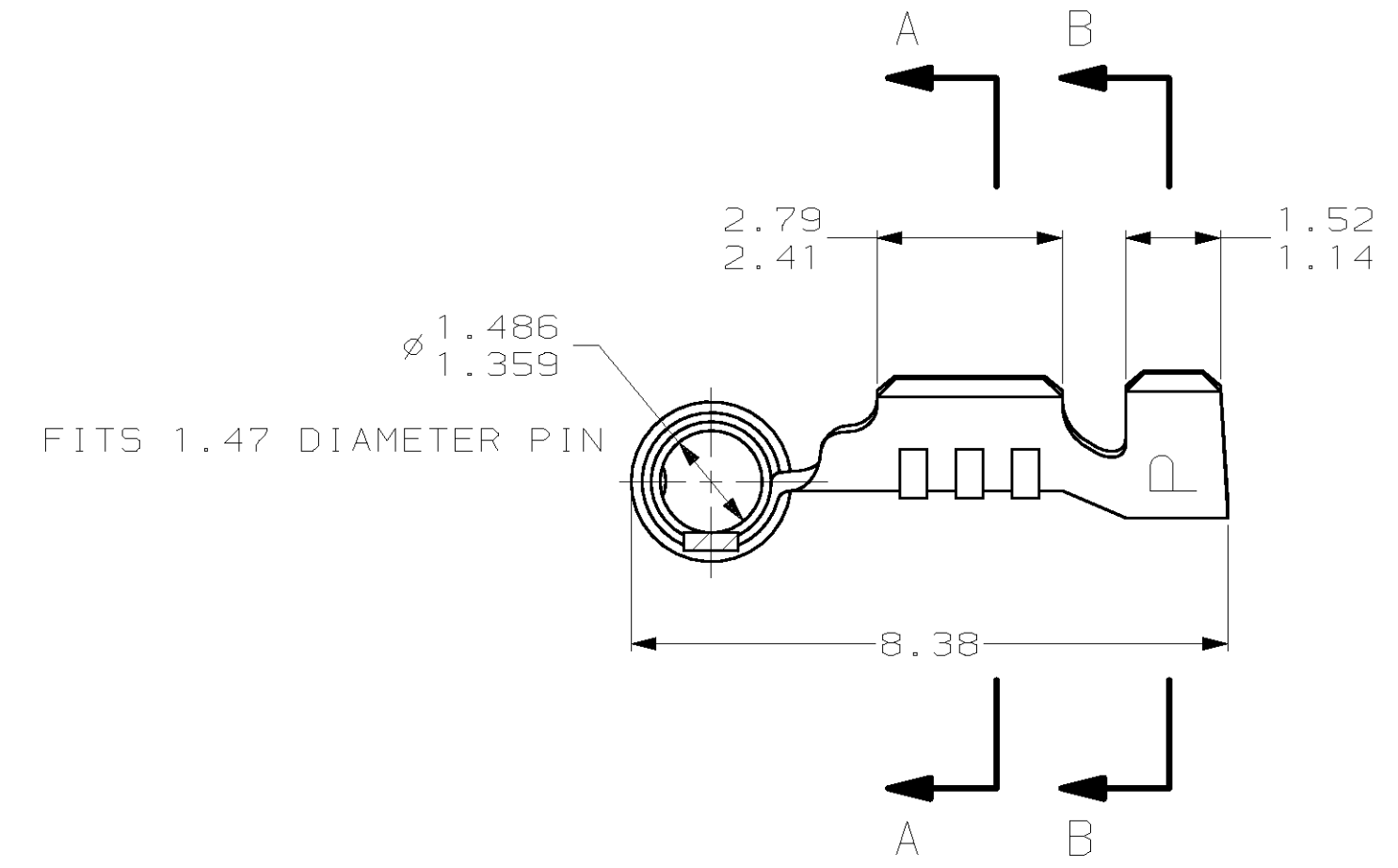
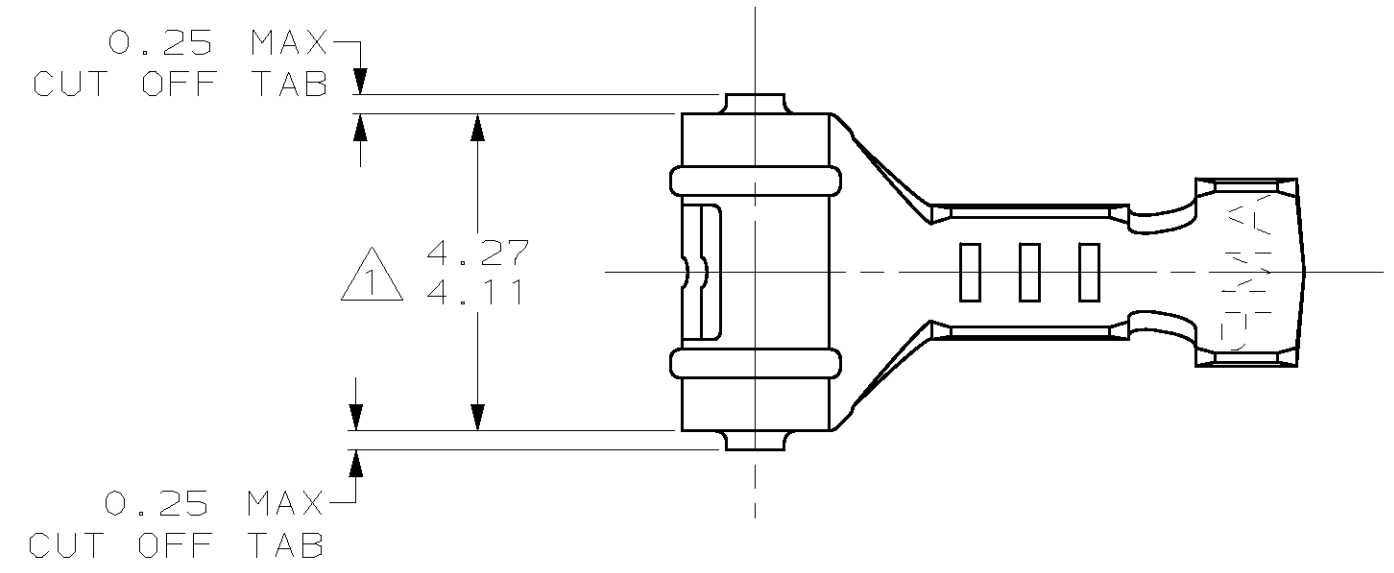


THIS DRAWING IS UNPUBLISHED. RELEASED FOR PUBLICATION .19
 (C) COPYRIGHT 19 BY AMP INCORPORATED. ALL RIGHTS RESERVED.

| LOC | DIST | REVISIONS | | | |
|-----|------|-------------|---------------------------------|---------|-------|
| P | LTR | DESCRIPTION | DATE | DWN | APVD |
| CM | 52 | B | REV & REDWN PER EC 0L30-0125-97 | 6-12-97 | TB RS |

- 1. 0.00038 MIN SELECTIVE GOLD PLATING ON INSIDE OF RECEPTACLE OVER NICKEL OVER ALL UNDERPLATE.
- 2. WIRE RANGE: 0.12 - 0.4 MM² (26 - 22 AWG)
- 3. INSULATION RANGE: 0.89 - 1.65



SECTION A-A

SECTION B-B

| | | |
|---|----------------|-------------|
| △ | 0.25 BE COPPER | 350189-2 |
| | PRE-TIN | 0.25 PH BRZ |
| | FINISH | MATERIAL |
| | | PART NUMBER |

| | | | | | | | |
|---------|---------|-------|-------|------|------|------|------|
| 1.359 | .0535 | 1.91 | .075 | 4.11 | .162 | - | - |
| 1.14 | .045 | 1.65 | .065 | 2.79 | .110 | - | - |
| 0.89 | .035 | 1.63 | .064 | 2.67 | .105 | - | - |
| 0.25 | .010 | 1.52 | .060 | 2.41 | .095 | - | - |
| 0.13 | .005 | 1.486 | .0585 | 2.29 | .090 | 8.38 | .330 |
| 0.00038 | .000015 | 1.47 | .058 | 2.06 | .081 | 4.27 | .168 |
| MM | IN | MM | IN | MM | IN | MM | IN |

CONVERSION TABLE

METRIC

THIS DRAWING IS A CONTROLLED DOCUMENT.

| | | | | | | |
|--------------------|--|---|---|----------------------|---------------|-------|
| DIMENSIONS: mm | TOLERANCES UNLESS OTHERWISE SPECIFIED: | DWN T. BECK 6-12-97 | AMP Incorporated Harrisburg, PA 17105-3608 | | | |
| | 0 PLC ±- | CHK R. SWING 6-12-97 | | | | |
| | 1 PLC ±- | APVD A. BEDDICK 6-17-97 | | | | |
| | 2 PLC ±0.13 | NAME RECEPTACLE, .058 DIAMETER, 26-22 AWG, .035-.065 INSULATION, RIGHT ANGLE, LOOSE PIECE, P.C. CONTACT | | | | |
| | 3 PLC ±- | PRODUCT SPEC 108-1025 | | | | |
| 4 PLC ±- | APPLICATION SPEC 114-1008 | SIZE A2 | CAGE CODE 00779 | DRAWING NO. C-350189 | RESTRICTED TO | |
| MATERIAL SEE TABLE | FINISH SEE TABLE | WEIGHT - | CUSTOMER DRAWING | SCALE 10:1 | SHEET 1 OF 1 | REV B |

350189